

STIGA

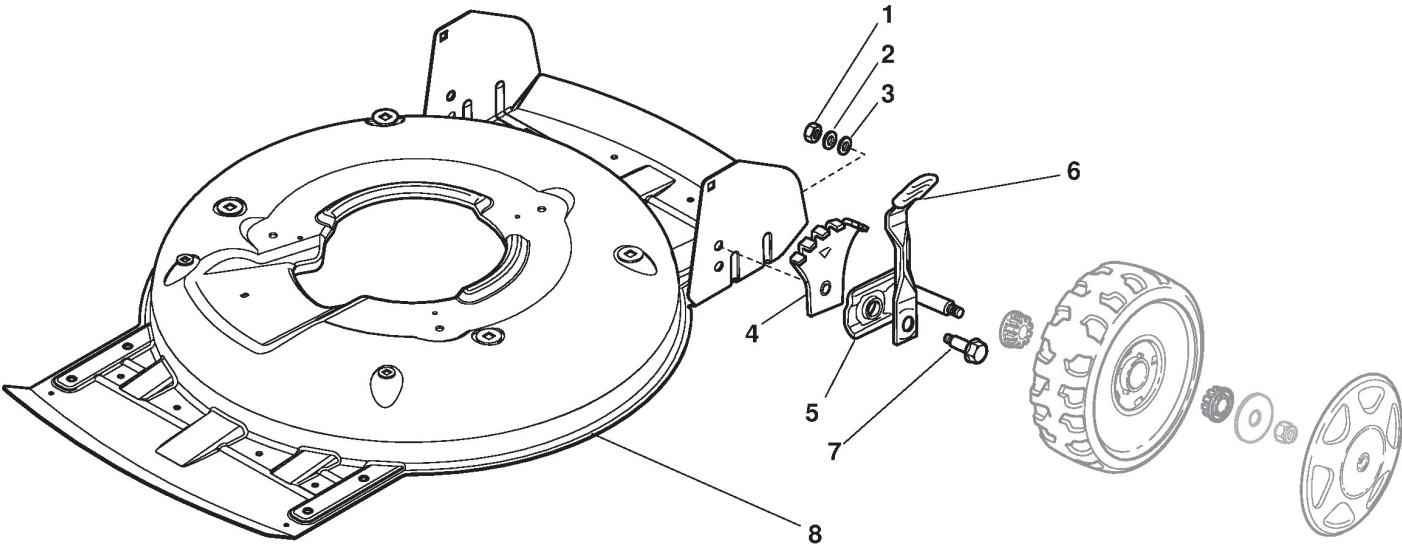
MULTICLIP 50 PLUS (2008)

11-5234-13

Spare parts list **Reservdelar** **Repuestos** **Ersatzteile** **Pièces détachées** **Reserve onderdelen** **Catalogo ricambi**

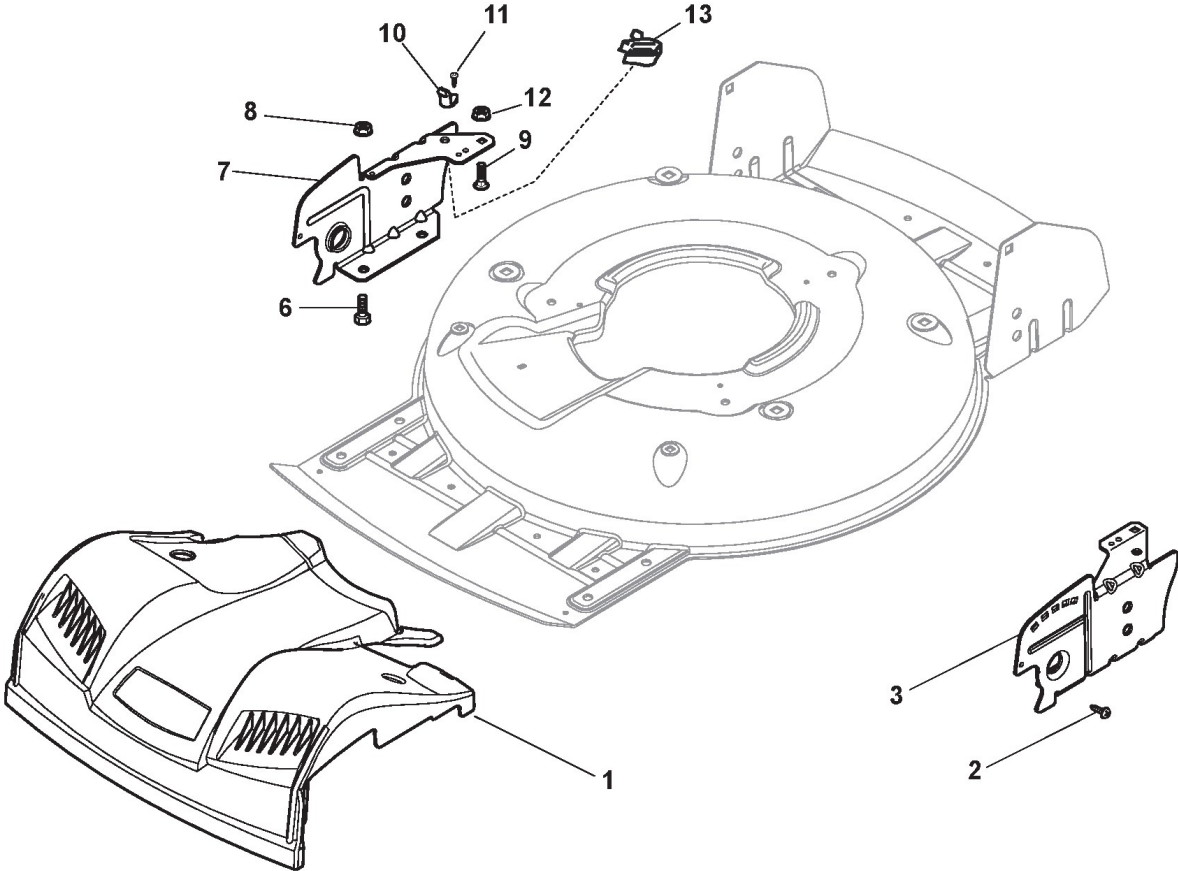
- Use ST. S.p.A. Genuine Spare Parts specified in the parts list for repair and/or replacement.
- The contents described in the parts list may change due to improvement.
- The drawings of the spare parts are only indicative And might Not represent the part in question exactly.
- The indications "right" - "left" - "front" - "rear" refer to the position of the operator when using the machine.
- When placing orders of parts for repair And/Or replacement, make sure that the illustrated parts list Is the one applying to the machine's year of manufacture, as shown on the identification plate attached to the machine.

All rights reserved. No part Of this material may be reproduced Or transmitted, in any form Or by any means, electronic Or mechanical, including photocopying, recording Or by any information storage And retrieval system, without permission in writing from ST. S.p.A.



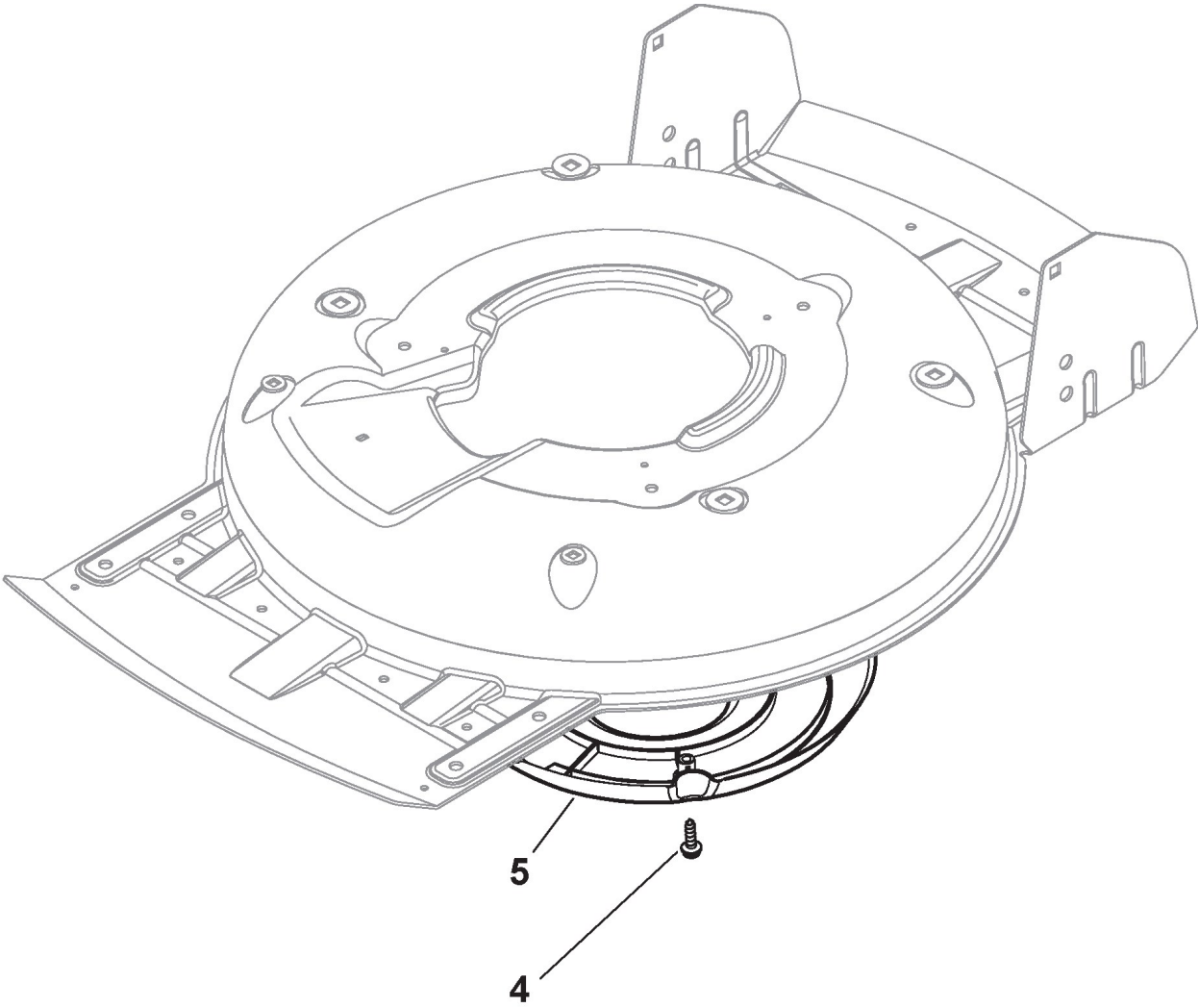
Deck And Height Adjusting

Ref.nr.	Antal	Komponentkode	Beskrivelse	Noter	From	Op til
1	4	112293200/0	Nut			
2	4	112583500/0	Grower			
3	4	112523070/0	Washer			
4	4	322735547/0	Sector, Height Adjustment			
5	4	381005082/0	Wheel Support			
6	4	481003286/0	Lever, Height Adjustment			
7	4	122519811/0	Pin			
8	1	381002907/1	Yellow Deck	To 31-august-2013		
8	1	381004734/0	Grey Deck	From 01-september-2013 To 31-august-2016		
8	1	381004734/1	Grey Deck	From 01-september-2016		



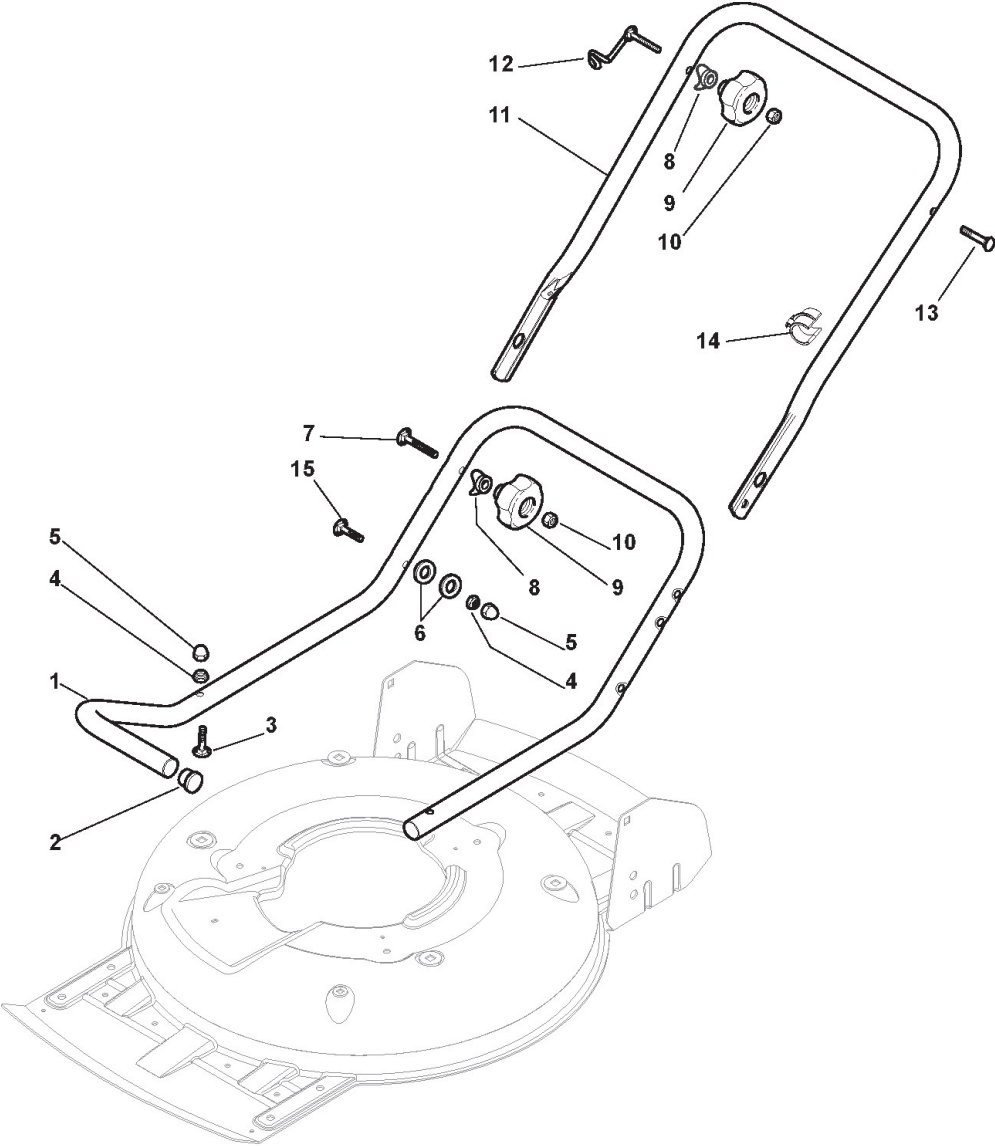
Mask

Ref.nr.	Antal	Komponentkode	Beskrivelse	Noter	From	Op til
1	1	322226098/1	Mask, Grey			
2	2	112728450/0	Screw			
3	1	322778421/0	Left Bracket			
6	4	112792611/0	Screw			
7	1	322778419/0	Right Bracket			
8	4	112293201/0	Nut			
9	2	112815200/0	Screw			
10	2	322020400/0	Fairlead			
11	2	112728523/0	Screw			
12	2	112292102/0	Nut			
13	1	133320506/0	Fairlead			



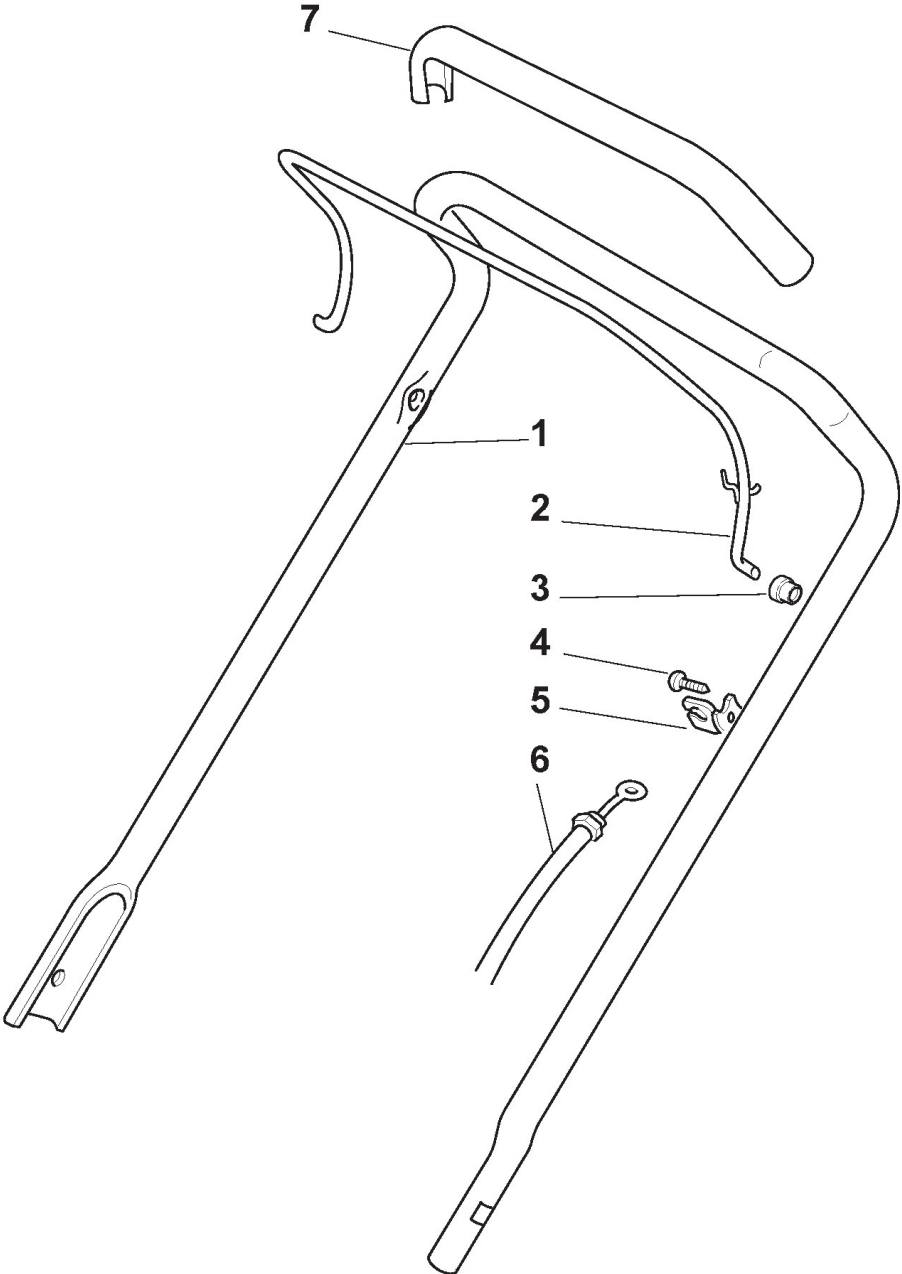
Protection, Belt

Ref.nr.	Antal	Komponentkode	Beskrivelse	Noter	From	Op til
4	3	112728530/0	Screw	To 31-august-2015		
4	3	112728531/0	Screw	From 01-september-2015		
5	1	322060220/0	Belt Protection			



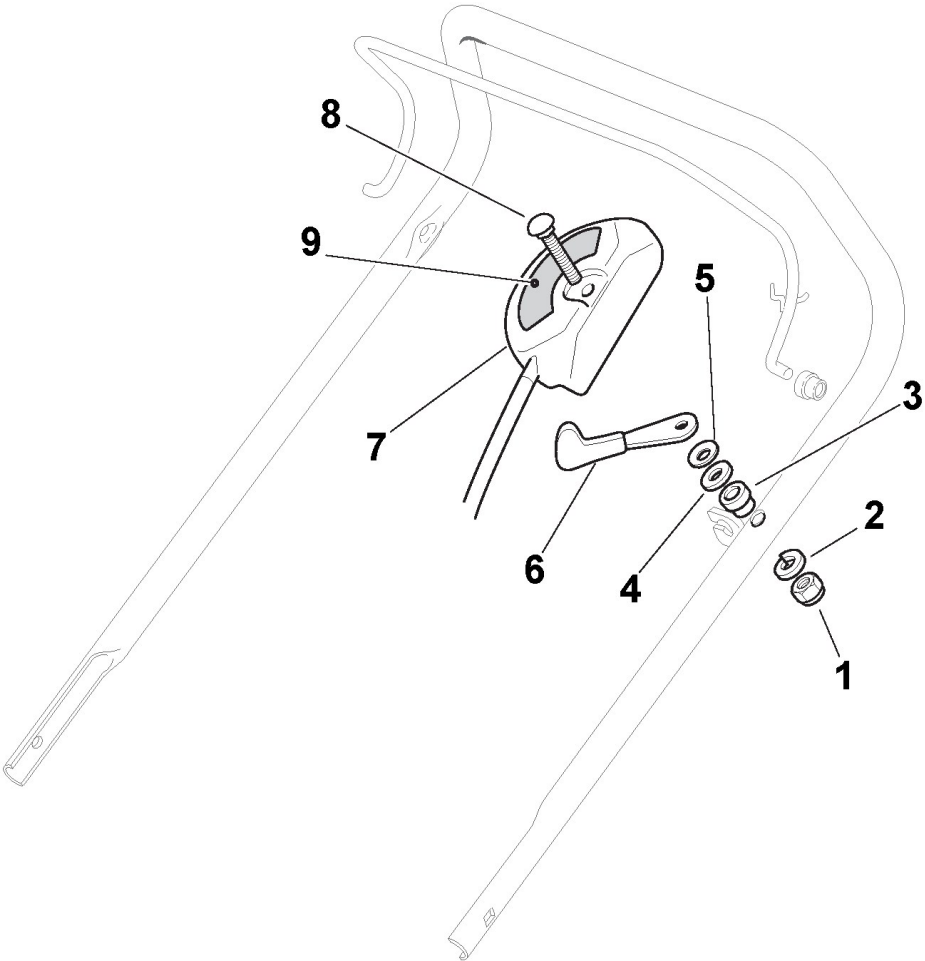
Handle, Lower Part

Ref.nr.	Antal	Komponentkode	Beskrivelse	Noter	From	Op til
2	2	118566110/0	Push Rod			
3	4	112818900/0	Screw			
4	4	112155000/0	Nut			
5	4	118203854/0	Cap			
6	2	112819100/0	Screw	From 01-september-2013		
7	4	112819121/0	Screw	From 01-september-2015		
7	4	112819201/0	Screw	To 31-august-2015		
8	4	122671651/0	Washer	From 01-september-2012		
8	4	122680006/1	Washer	To 31-august-2013		
9	4	322399804/1	Knob			
10	4	112293200/0	Nut			
12	1	122430313/0	Guide Spring	From 01-september-2012		
12	1	181003801/1	Guide Spring	To 31-august-2013		
13	1	112819201/0	Screw			
14	1	118390020/0	Conduit Clip			
15	2	112819100/0	Screw			



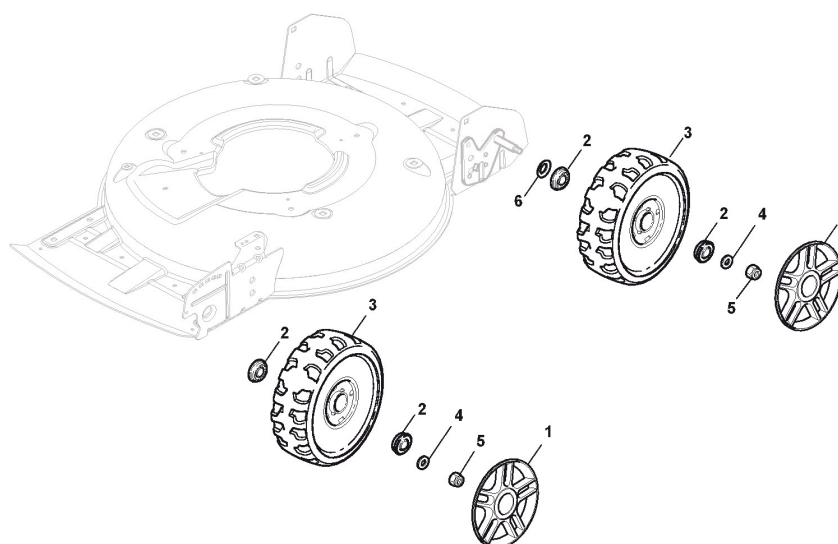
Handle, Upper Part

Ref.nr.	Antal	Komponentkode	Beskrivelse	Noter	From	Op til
1	1	381007018/1	Handle, Upper Part			
2	1	181003291/2	Lever, Engine Brake	To 31-august-2006		
2	1	181003291/3	Lever, Engine Brake	From 01-september-2006		
3	2	122041966/0	Bushing			
4	1	112728518/0	Screw			
5	1	322806612/0	Support			
6	1	181000615/0	Cable, Thread Engine Brake	SV40 / RV 40 / V35 Engine		
6	1	181000634/0	Cable, Thread Engine Brake	ST. Engine		
7	1	122291050/0	Handgrip Black			



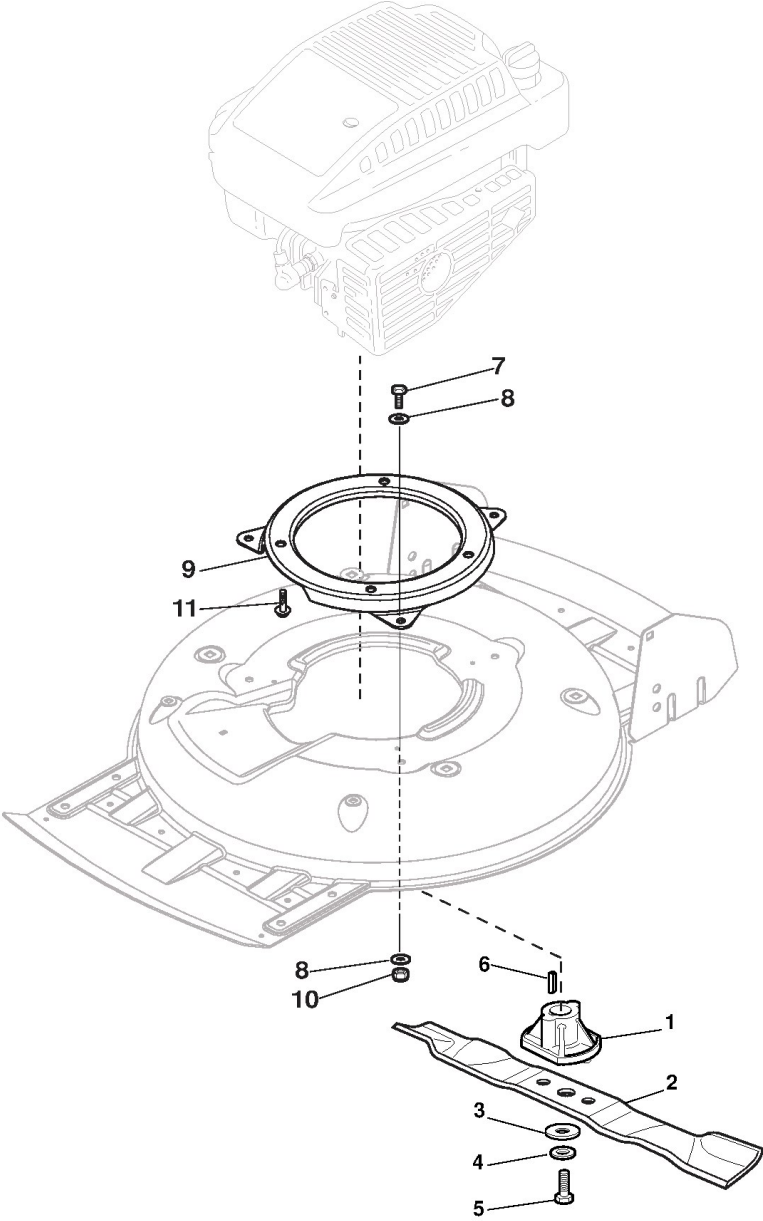
Controls

Ref.nr.	Antal	Komponentkode	Beskrivelse	Noter	From	Op til
1	1	112291000/0	Nut			
2	1	112581500/0	Grower			
3	1	122171005/0	Spacer			
4	1	112521360/0	Washer			
5	1	112508100/0	Cup Spring			
6	1	381007220/0	Throttle Lever	SV40-RV 40-V35 Engine / B&S 450-500 Series;From 01-september-2006		
7	1	481007080/0	Throttle Cable			
8	1	112815000/0	Screw			
9	1	114356702/0	Throttle Label	(GGP)		



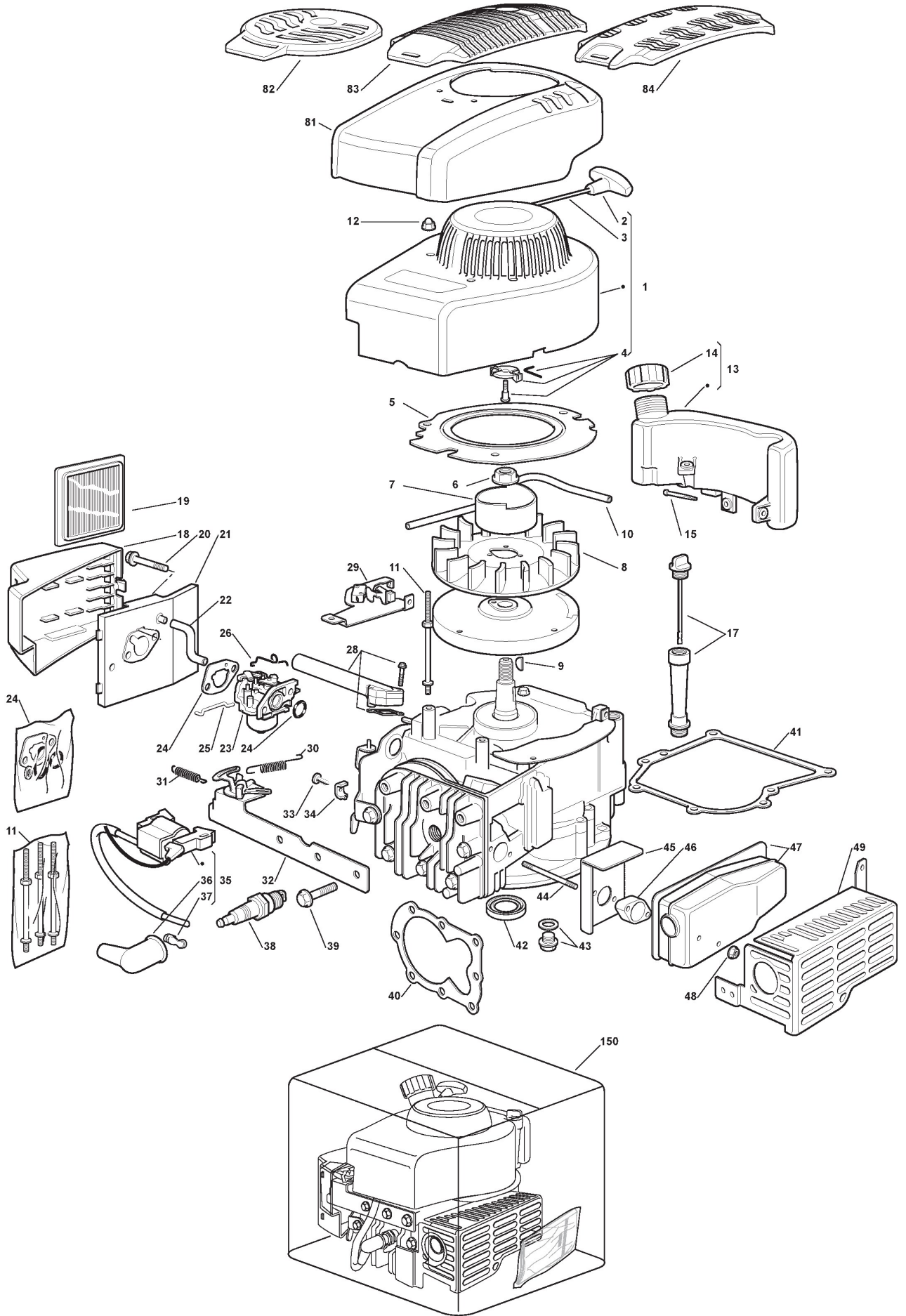
Wheels and Hub Caps

Ref.nr.	Antal	Komponentkode	Beskrivelse	Noter	From	Op til
2	8	122122200/0	Bearing			
3	4	322686092/0	Wheel			
4	4	112521350/0	Washer			
5	4	112155000/0	Nut			
6	4	322170622/0	Spacer			



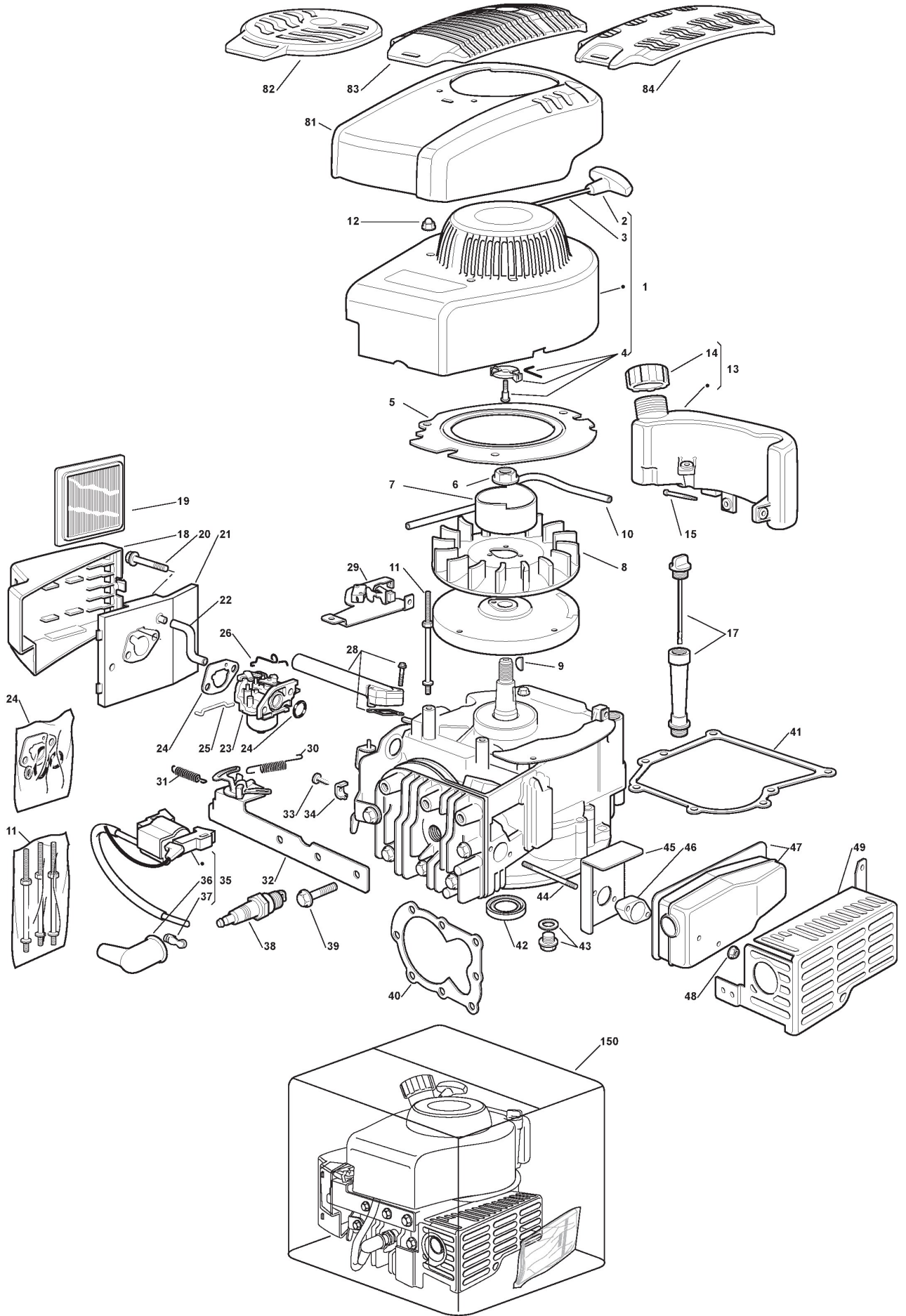
Blade

Ref.nr.	Antal	Komponentkode	Beskrivelse	Noter	From	Op til
1	1	122463012/2	Hub, Crankshaft Ø 22.2			
2	1	181004146/0	Blade Standard			
3	1	122160400/0	Elastic Disc			
4	1	112523080/0	Washer			
5	1	112735698/0	Screw			
6	1	112139100/0	Key			
7	3	112793102/0	Screw			
8	6	112523060/0	Washer			
9	1	322207219/1	Flange			
10	3	112155000/0	Nut			
11	3	112735108/1	Screw	From 01-september-2015		
11	3	112735109/2	Screw	To 31-august-2014		



Engine - GGP M150

Ref.nr.	Antal	Komponentkode	Beskrivelse	Noter	From	Op til
1	1	118550139/0	Starter Assy Cover	To 31-august-2007		
1	1	118550139/1	Starter Assy Cover	From 01-september-2007		
2	1	118550052/0	Starter Handle			
3	1	118550053/0	Starter Cord			
4	1	118550004/1	Starter Pawl Set			
5	1	118550138/0	Deflector			
6	1	118550056/0	Nut			
7	1	118550140/0	Starter Cup			
8	1	118550154/0	Flywheel Fan			
9	1	118550197/0	Flywheel Key			
10	1	118550005/0	Fuel Tube			
11	1	118550142/0	Outfit, Screws			
12	3	118550007/0	Nut			
13	1	118550143/0	Fuel Tank			
14	1	118550001/0	Fuel Cap			
15	1	118550141/0	Fuel Filter			
17	1	118550008/0	Oil Dipstick & Oil Fill Tube Assy			
18	1	118550144/0	Air Cleaner Cover			
19	1	118550147/0	Air Filter			
20	2	118550010/0	Screw			
21	1	118550125/1	Air Cleaner Base			
22	1	118550013/0	Breather Tube			
23	1	118550148/0	Carburetor			
24	1	118550019/0	Carburettor Gasket Kit			
25	1	118550017/0	Choke Lever			
26	1	118550149/0	Choke Lever			
28	1	118550129/0	Intake Manifold			
29	1	118550021/0	Brake			
30	1	118550151/0	Governor Spring			
31	1	118550150/0	Linking Spring			
32	1	118550152/0	Control Bracket			
33	1	118550023/0	Screw			
34	1	118550022/0	Casing Clamp			
35	1	118550126/0	Magneto Armature			
36	1	118550127/0	Spark Plug Elbow Cover			
37	1	118550071/0	Terminal-Spark Plug	2006		
38	1	118550134/0	Spark Plug (Qj19Lm)			
39	8	118550128/0	Screw			
40	1	118550026/0	Cylinder Head Gasket Set			
41	1	118550130/0	Crankcase Gasket			
42	1	118550131/0	Seal Ring			
43	1	118550155/0	Oil Cap Assy			
44	2	118550027/0	Double-Screw Bolt			
45	1	118550028/0	Muffler Gasket			
46	1	118550030/0	Spacer			
47	1	118550031/0	Muffler			
48	2	118550032/0	Nut			



Engine - GGP M150

Ref.nr.	Antal	Komponentkode	Beskrivelse	Noter	From	Op til
49	1	118550033/0	Muffler Protection			
81	1	118550145/0	Cover			
82	1	322055439/0	Cover, Black			
83	1	322055452/0	Cover, Black			
84	1	322055450/0	Cover, Black			
150	1	18550157/0	Engine Assembled			