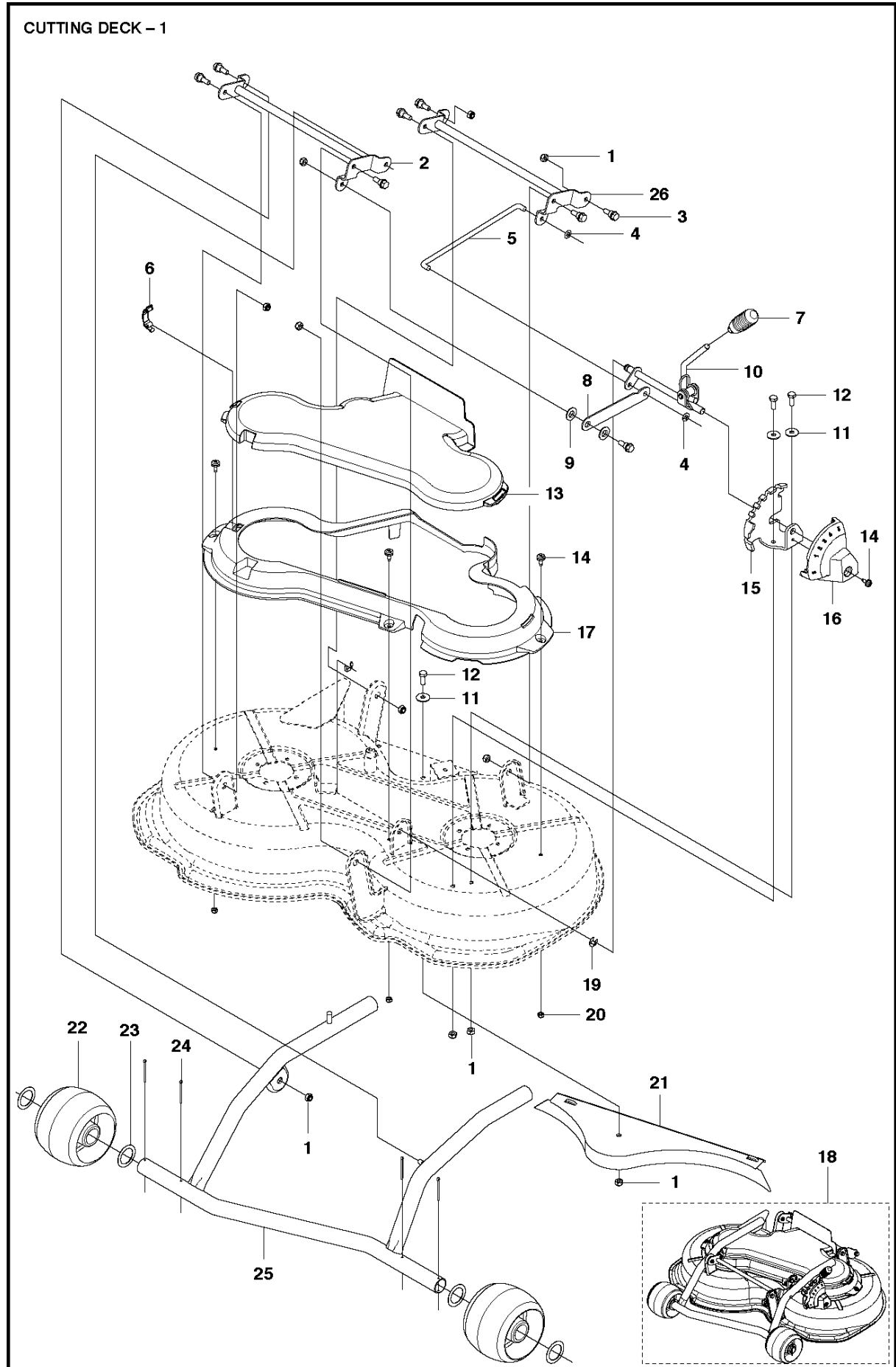




SPARE PARTS LIST

TRACTORS/RIDE MOWERS

G125-85F, 967271301, 2017-01

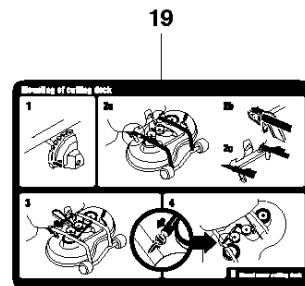
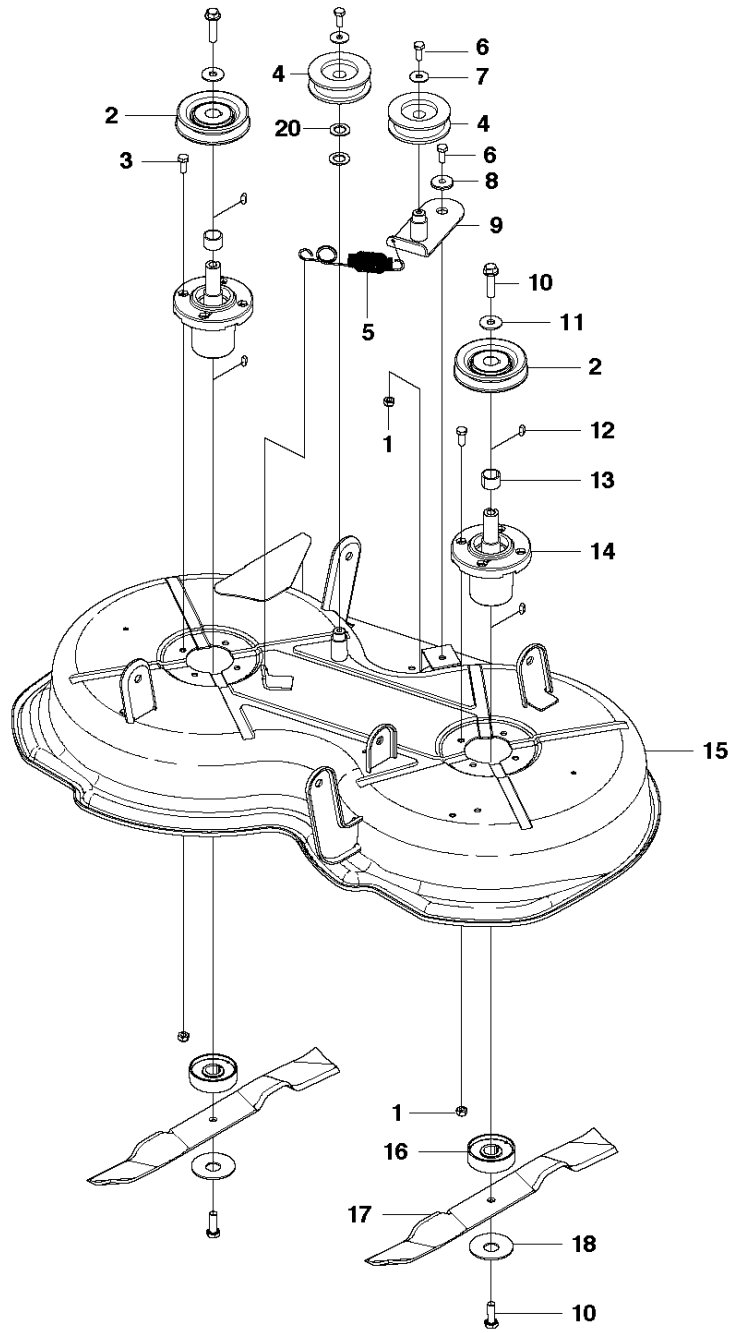


85CM CUTTING DECK

G125-85F, 967271301, 2017-01

Ref	Part No	Description	Remark	QTY	KIT
1	732 21 18-01	LOCK NUT		16	
2	522 45 09-02	CROSS BAR		1	
3	506 59 74-01	SCREW EHHFM		8	
4	735 58 52-00	WASHER		2	
5	581 17 54-01	ROD		1	
6	576 37 38-01	SNAP LOCKING		1	
7	574 32 88-02	HANDLE		1	
8	525 85 57-01	ARM		1	
9	734 11 65-41	WASHER		2	
10	586 87 97-01	LEVER ASSY		1	
11	734 11 64-41	WASHER		5	
12	725 24 53-71	SCREW EHHM		7	
13	581 06 15-02	COVER		1	
14	544 40 05-01	SCREW		4	
15	522 52 32-02	BRACKET		1	
16	573 97 18-04	COVER		1	
17	574 17 20-02	COVER		1	
18	586 14 70-04	CUTTING DECK		1	Assy
19	735 31 15-20	E-CLIP		2	
20	732 21 16-01	NUT		3	
21	574 04 17-02	PLUG		1	
22	522 73 59-01	WHEEL		2	
23	574 26 45-01	WASHER		4	
24	721 61 87-01	SPLIT PIN		4	
25	522 45 19-02	EQUIPMENT FRAME		1	
26	583 88 74-01	CROSSBAR		1	

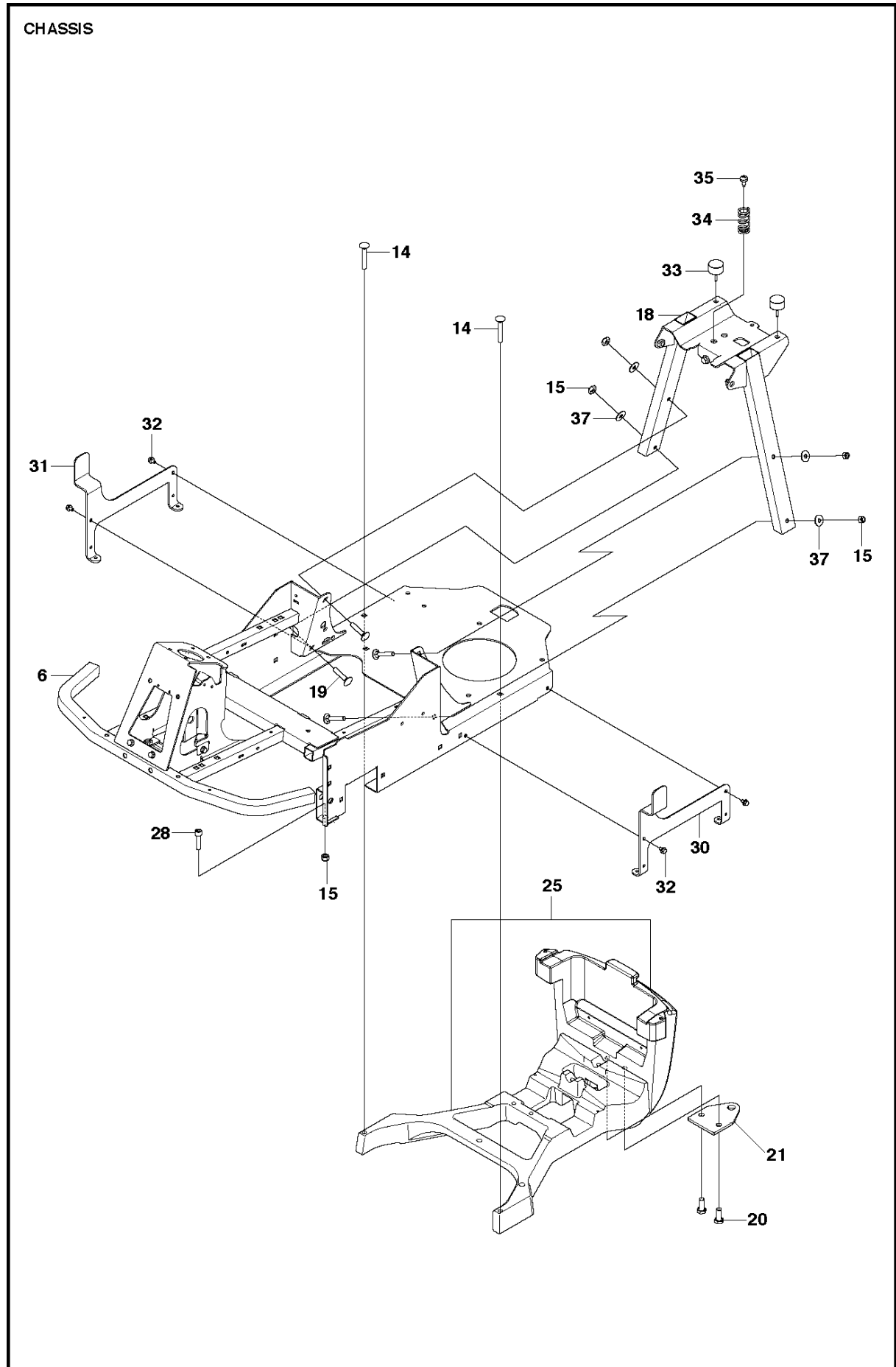
CUTTING DECK - 2



85CM CUTTING DECK

G125-85F, 967271301, 2017-01

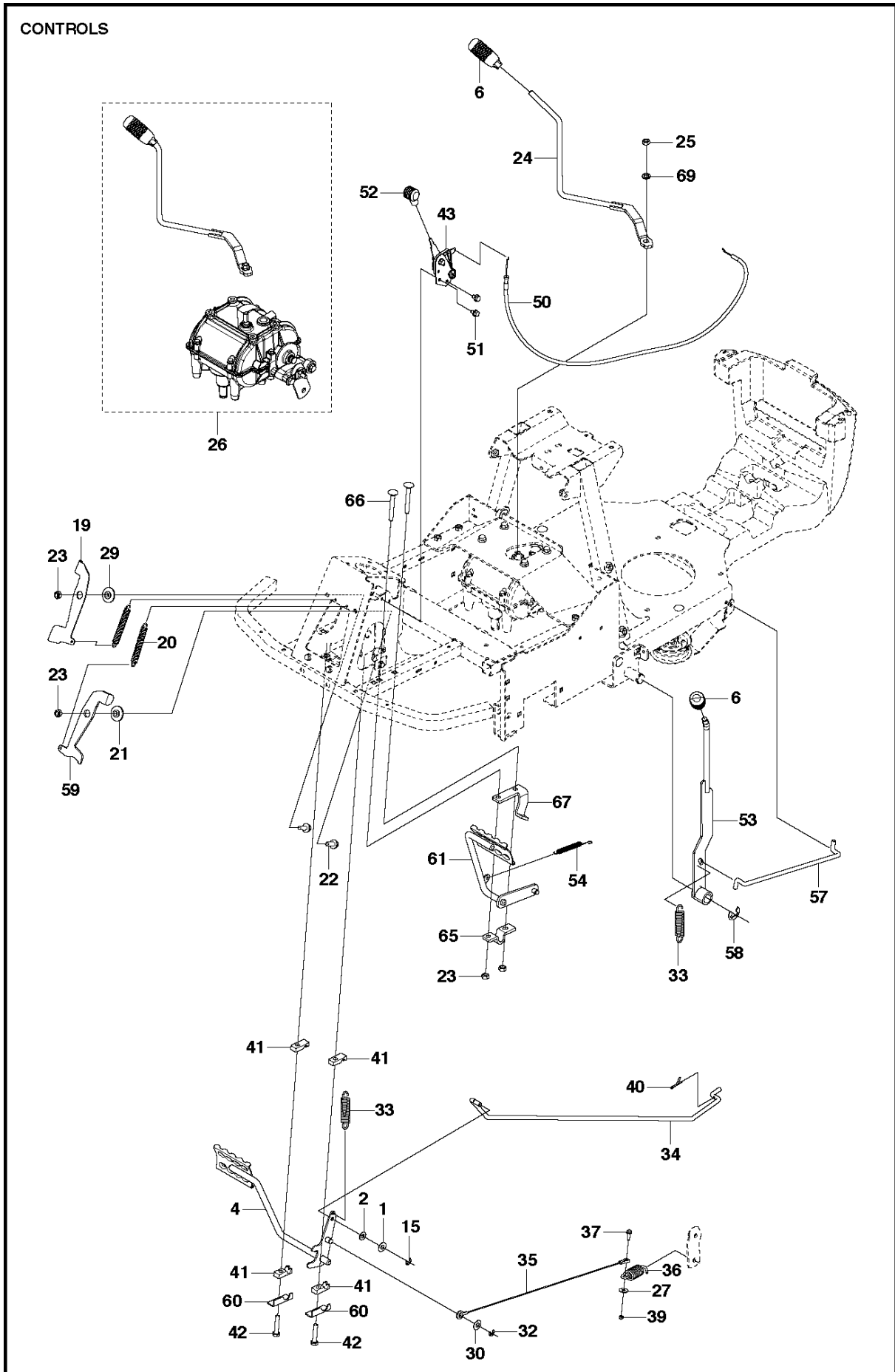
Ref	Part No	Description	Remark	QTY KIT
1	732 21 18-01	LOCK NUT		16
2	574 46 07-01	PULLEY		2
3	725 24 51-71	SCREW EHHM		8
4	586 10 43-02	BELT TENSIONER WHEEL		2
5	584 29 88-01	SPRING		1
6	725 24 53-71	SCREW EHHM		7
7	734 11 64-41	WASHER		5
8	734 11 74-41	WASHER		1
9	573 96 95-01	BELT TENSIONER		1
10	506 67 54-02	SCREW EHHFM		4
11	734 11 77-71	WASHER		2
12	506 53 35-01	PARALLEL KEY		4
13	573 96 65-01	TUBE		2
14	573 96 86-01	BEARING HOUSING ASSY		2
15	581 06 11-02	CUTTING DECK		1
16	581 24 97-01	ADAPTER		2
17	581 08 35-01	BLADE		2
18	506 79 23-03	KNIFE PLATE		2
19	581 16 62-01	DECAL		2
20	581 70 95-01	WASHER		2
21	574 51 00-01	DECAL		2



CHASSIS REAR

G125-85F, 967271301, 2017-01

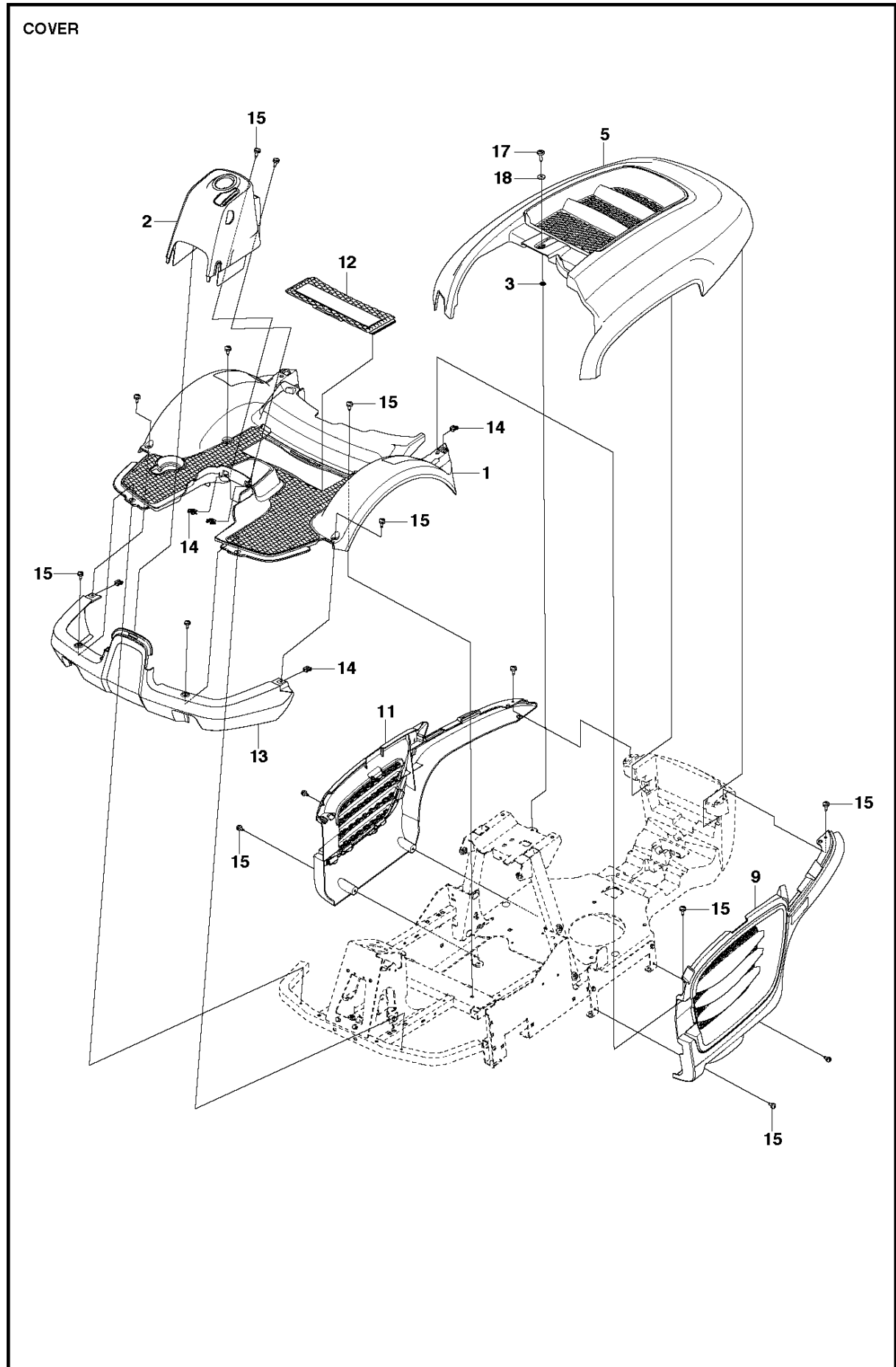
Ref	Part No	Description	Remark	QTY KIT
6	576 46 68-01	FRAME		1
14	535 42 38-03	SCREW RSQM		2
15	732 21 18-01	LOCK NUT		6
18	576 79 32-01	SEAT BRACKET ASSY		1
19	727 64 59-51	SCREW		4
20	725 24 97-51	SCREW		2
21	585 31 44-01	SHEET		1
25	587 00 90-01	FRAME		1
28	725 54 55-01	SCREW IHSCM		1
30	578 04 29-01	BRACKET		1
31	578 04 29-02	BRACKET		1
32	725 23 64-61	SCREW EHHFT		4
33	586 32 11-01	DAMPER		2
34	581 45 21-01	COMPRESSION SPRING		1
35	544 40 05-01	SCREW		1
37	734 11 64-41	WASHER		4



CONTROLS

G125-85F, 967271301, 2017-01

Ref	Part No	Description	Remark	QTY KIT
1	585 13 54-01	WASHER		1
2	734 11 64-01	WASHER		1
4	576 84 59-02	PEDAL		1
6	588 16 41-02	HANDLE		2
15	735 31 10-20	E-CLIP		1
19	576 92 37-02	ARM		1
20	574 50 62-01	SPRING		2
21	506 91 87-02	WASHER		1
22	506 57 01-04	SCREW EHHFM		2
23	732 21 18-01	LOCK NUT		6
24	581 61 31-01	LEVER		1
25	873 61 06-00	NUT		1
26	588 10 94-01	TRANSMISSION KIT		1
27	734 11 54-41	WASHER		1
29	574 87 41-02	WASHER		1
30	734 11 72-01	WASHER		1
32	735 31 10-20	E-CLIP		1
33	506 53 56-03	DRAW SPRING		2
34	585 19 77-01	ROD		1
35	579 29 43-01	BRAKE WIRE		1
36	506 94 63-01	BRAKE SPRING		1
37	725 23 29-51	SCREW		1
39	732 25 14-01	HEXAGON LOCKING NUT		1
40	721 61 52-01	SPLIT PIN		1
41	506 95 41-01	BEARING SUPPORT		4
42	725 24 57-51	SCREW		2
43	577 84 72-01	THROTTLE CONTROL		1
50	544 30 17-08	WIRE		1
51	725 23 64-61	SCREW EHHFT		2
52	506 88 91-01	KNOB		1
53	576 45 67-01	LEVER		1
54	506 83 43-01	SPRING		1
57	576 45 66-01	ROD		1
58	506 89 90-01	E-CLIP		1
59	581 85 01-02	ARM		1
60	578 36 66-01	SHEET		2
61	578 31 36-02	PEDAL		1
65	579 15 43-01	SHEET		1
66	535 42 38-02	SCREW RSQM		2
67	579 15 44-01	SHEET		1
69	522 44 98-01	WASHER		1

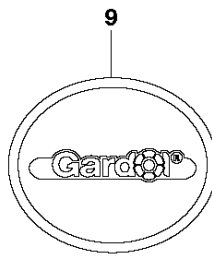
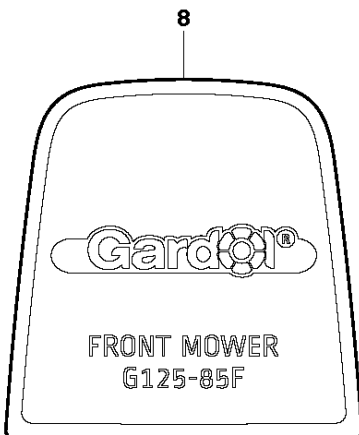
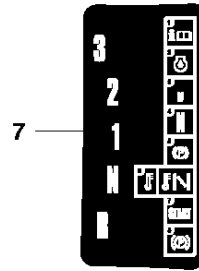
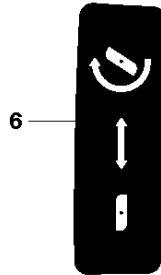
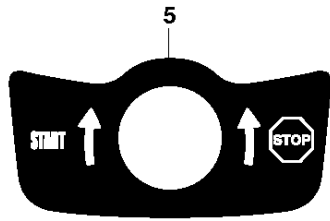
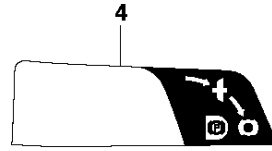
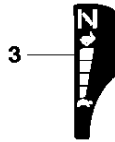
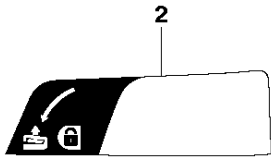
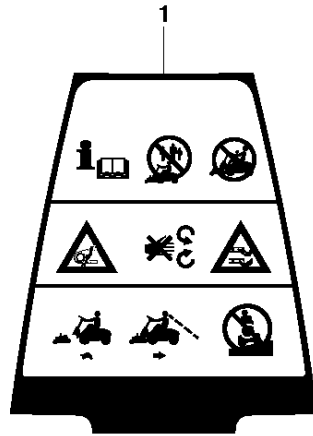


COVER

G125-85F, 967271301, 2017-01

Ref	Part No	Description	Remark	QTY KIT
1	577 54 58-01	FOOT PLATE		1
2	577 54 62-01	COVER		1
3	735 58 35-01	WASHER		1
5	587 00 91-02	ENGINE HOOD ASSY		1
9	578 29 92-02	COVER		1
11	578 29 91-02	COVER		1
12	578 28 16-02	DOOR		1
13	577 54 61-02	COVER		1
14	535 42 91-01	SPRING NUT		6
15	544 40 05-01	SCREW		16
17	506 98 26-02	SCREW		1
18	506 55 97-01	WASHER		1

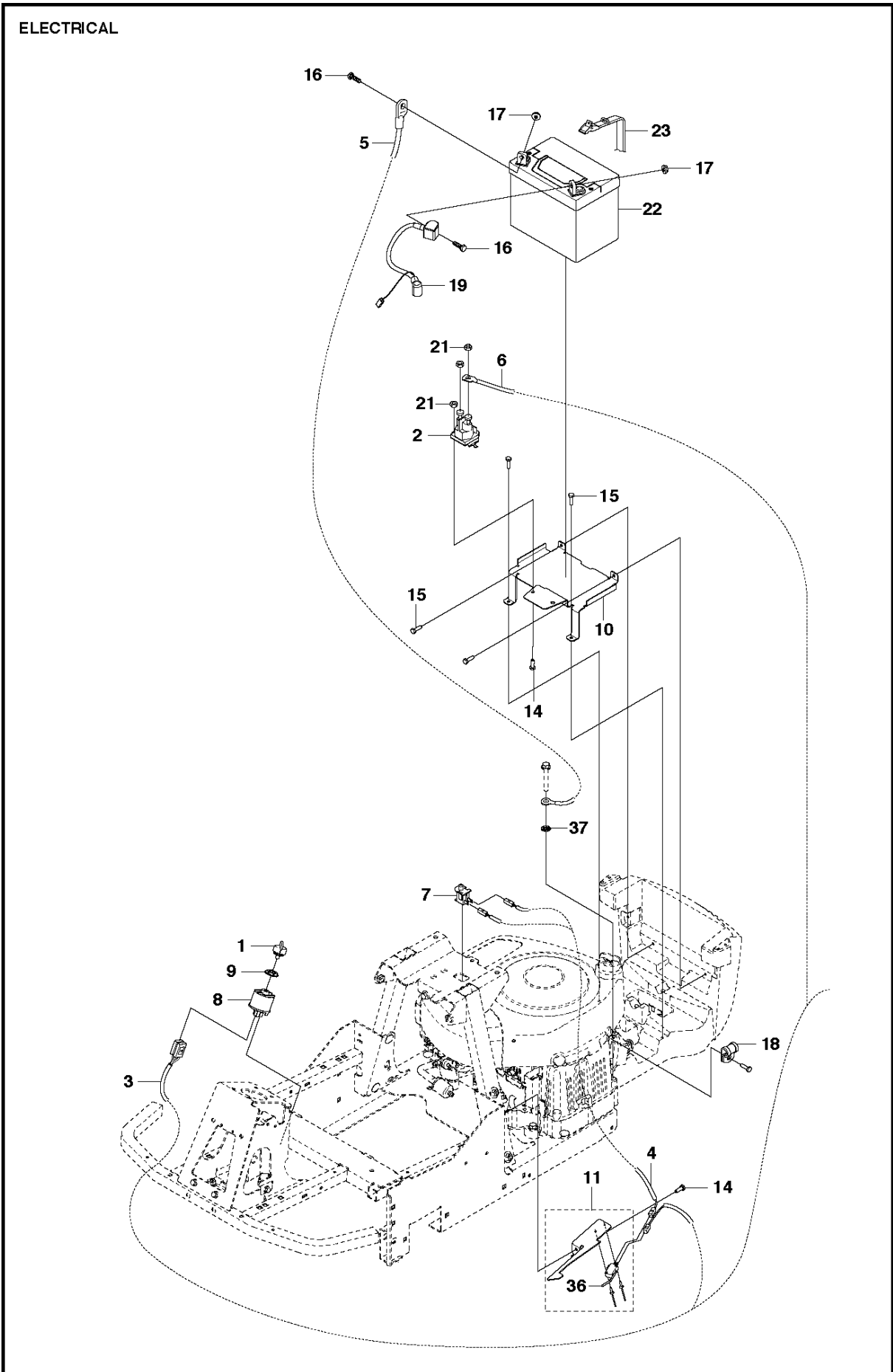
DECALS



DECALS

G125-85F, 967271301, 2017-01

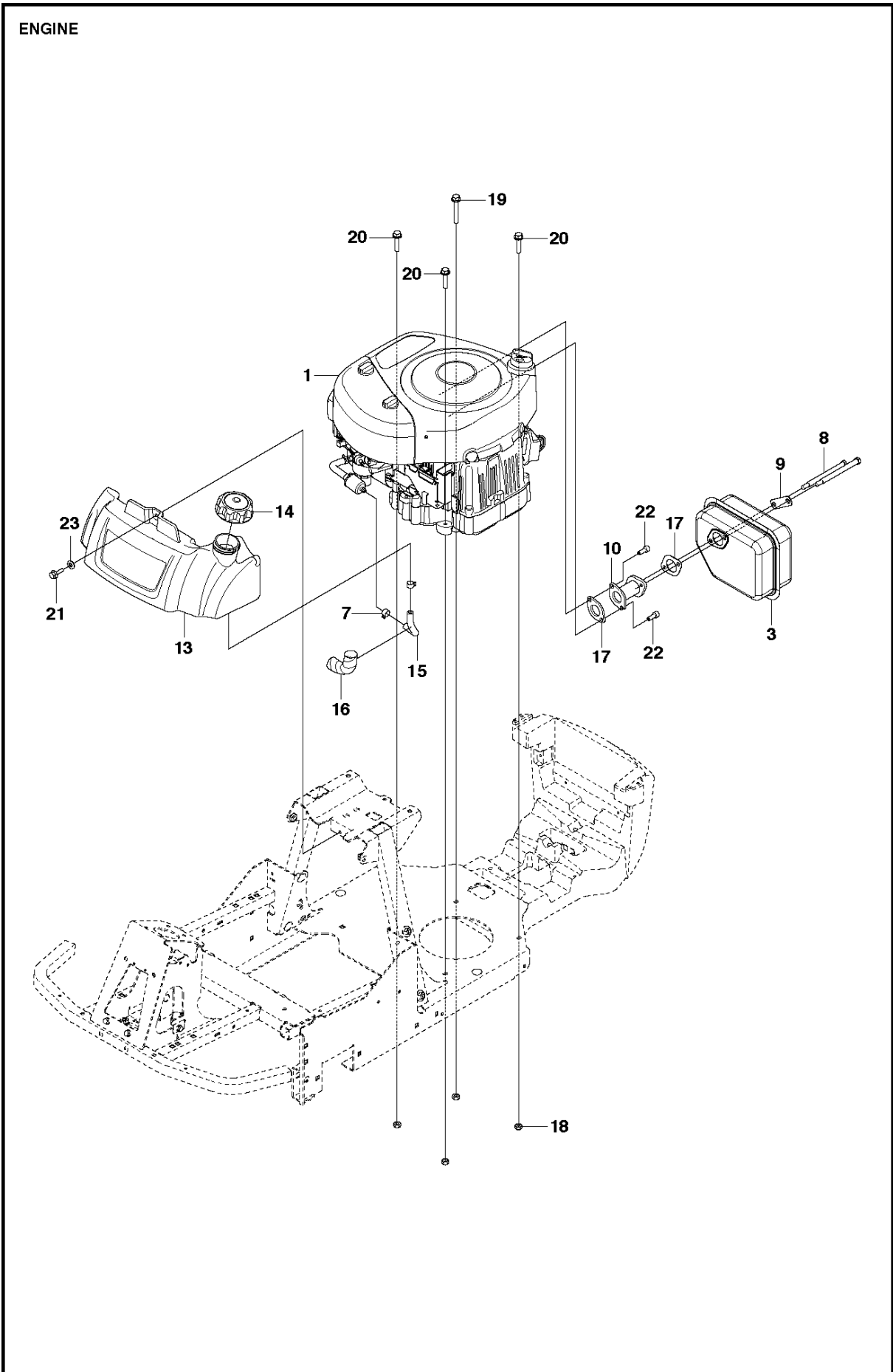
Ref	Part No	Description	Remark	QTY KIT
1	578 97 78-01	DECAL		1
2	578 97 79-02	DECAL		1
3	578 97 75-01	DECAL		1
4	578 97 85-02	DECAL		1
5	578 97 77-01	DECAL		1
6	578 97 76-01	DECAL		1
7	578 97 86-01	DECAL		1
8	582 90 39-01	DECAL		1
9	589 32 19-01	DECAL		1
10	581 78 40-05	LABEL		1



ELECTRICAL

G125-85F, 967271301, 2017-01

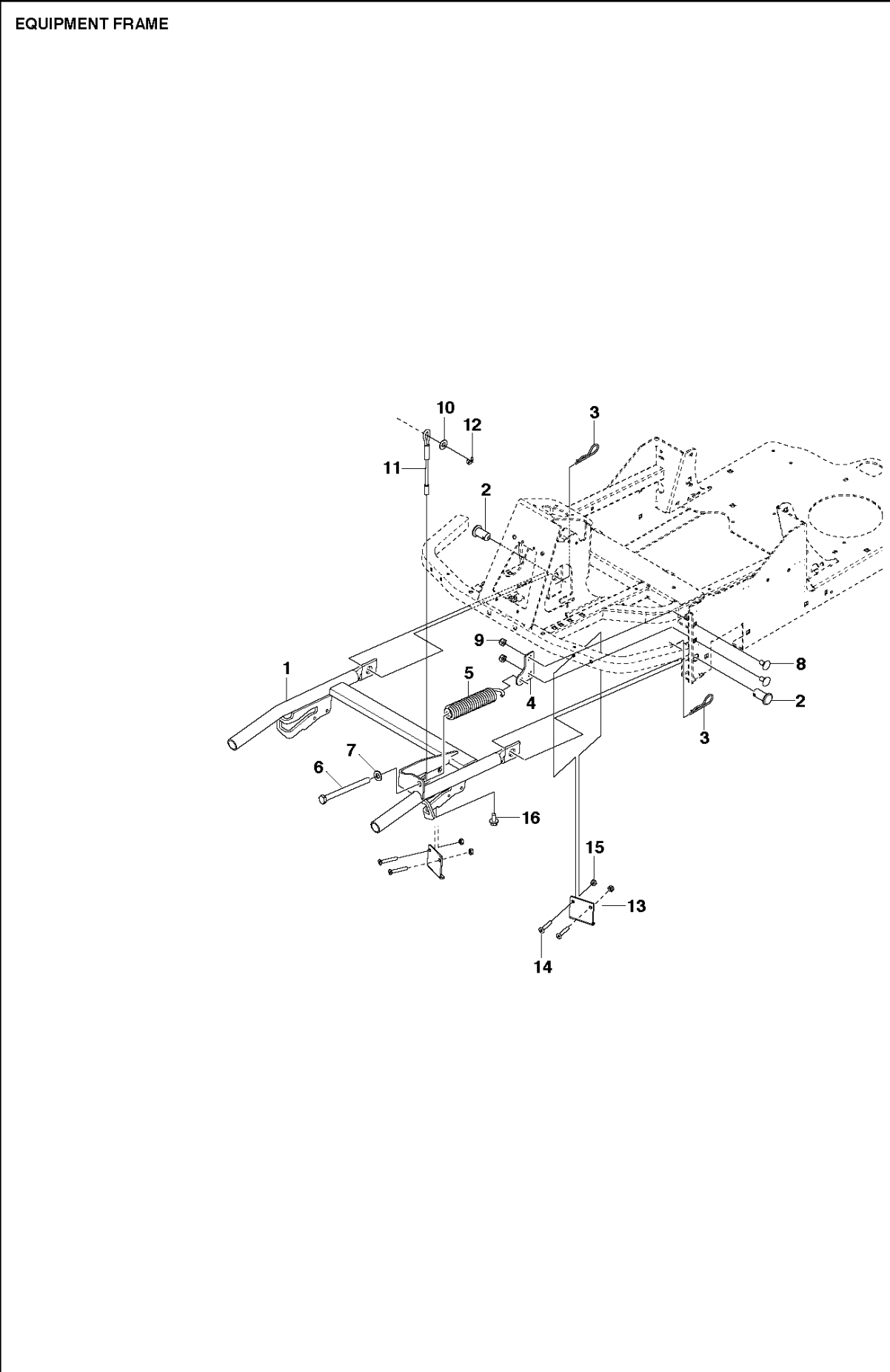
Ref	Part No	Description	Remark	QTY	KIT
1	544 44 24-01	IGNITION KEY		1	
2	544 43 98-01	RELAY		1	
3	577 51 19-02	WIRING ASSY		1	
4	577 51 20-01	WIRING		1	
5	576 18 38-01	CABLE		1	
6	576 18 38-03	CABLE		1	
7	506 90 96-01	SWITCH		1	
8	544 44 22-01	IGNITION SWITCH		1	
9	544 44 23-01	NUT		1	
10	577 39 01-01	BRACKET		1	
11	578 28 55-01	PLATE		1	
14	725 23 64-61	SCREW EHHFT		2	
15	544 40 05-01	SCREW		4	
16	522 62 21-01	SCREW EHHM		2	
17	522 62 43-01	NUT		2	
18	578 99 68-01	CLAMP		1	
19	586 22 39-01	WIRE		1	
21	506 89 98-01	NUT		3	
22	574 39 72-01	BATTERY		1	
23	506 83 68-02	BELT		1	
36	574 31 61-01	SWITCH		1	11
37	506 55 63-02	SCREW UNC		1	



ENGINE

G125-85F, 967271301, 2017-01

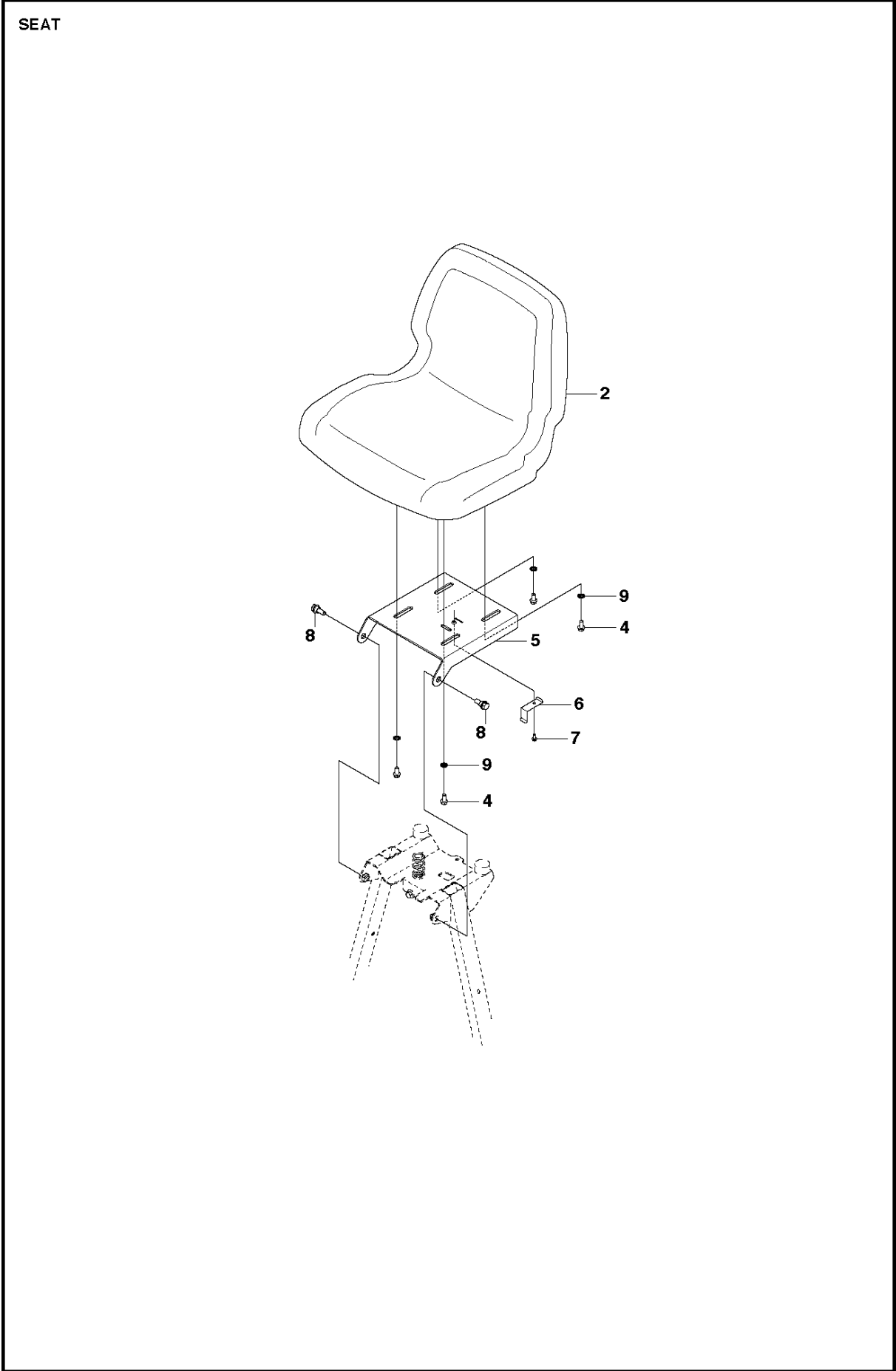
Ref	Part No	Description	Remark	QTY KIT
1	589 35 63-01	ENGINE		1
3	581 12 98-01	MUFFLER ASSY		1
7	535 46 97-01	HOSE BRACE		2
8	578 25 91-01	COLLAR SCREW		2
9	578 25 93-01	WASHER		1
10	578 25 57-01	MANIFOLD		1
13	577 91 58-01	FUEL TANK		1
14	532 43 02-20	HUB CAP		1
15	504 80 00-12	FUEL HOSE		1
16	544 02 66-08	HOSE GUARD		1
17	579 37 71-01	GASKET		2
18	732 21 18-01	LOCK NUT		4
19	506 57 01-07	SCREW EHHFM		1
20	506 57 01-06	SCREW EHHFM		3
21	579 32 81-01	SCREW		1
22	506 55 63-01	SCREW UNC		2
23	734 11 54-41	WASHER		1



FRAME

G125-85F, 967271301, 2017-01

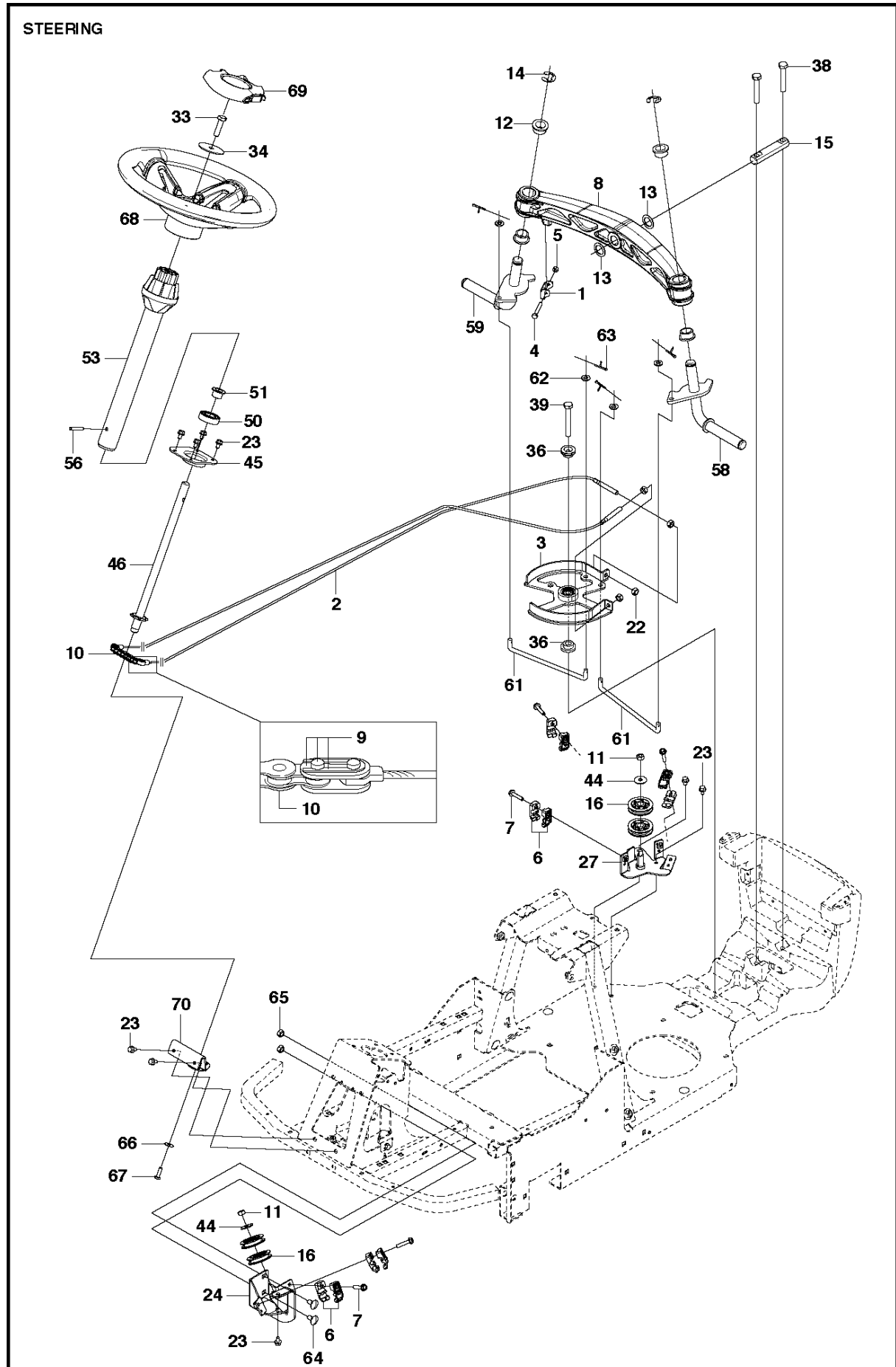
Ref	Part No	Description	Remark	QTY KIT
1	581 10 04-01	ATTACHMENT		1
2	721 86 17-01	CLEVIS PIN		2
3	721 68 02-51	SPRING COTTER		2
4	578 38 53-01	BRACKET		1
5	505 41 87-01	SPRING		1
6	725 25 15-71	SCREW EHHM		2
7	734 11 72-01	WASHER		1
8	872 14 05-05	BOLT		2
9	732 21 18-01	LOCK NUT		3
10	734 11 72-01	WASHER		1
11	579 16 53-01	WIRE		1
12	735 31 12-20	E-CLIP		1
13	586 89 89-01	BRACKET		2
14	725 23 78-61	SCREW EHHFT		4
15	732 21 16-01	NUT		4
16	506 55 83-02	SCREW EHHFT		1



SEAT

G125-85F, 967271301, 2017-01

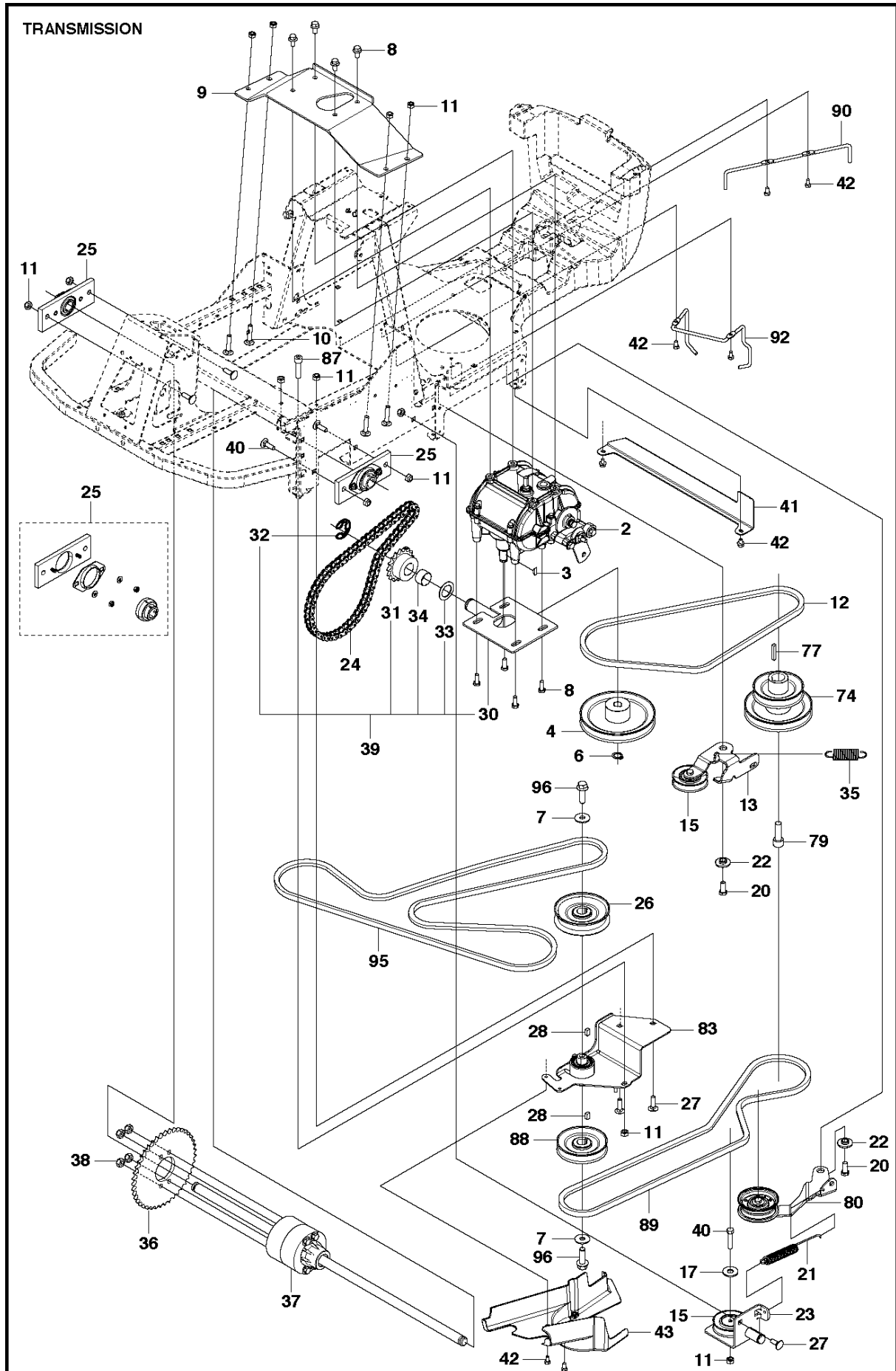
Ref	Part No	Description	Remark	QTY KIT
2	576 37 64-01	SEAT		1
4	506 57 01-03	SCREW EHHFM		4
5	577 86 58-01	SHEET		1
6	525 48 67-01	BELT GUIDE		1
7	725 23 64-61	SCREW EHHFT		1
8	506 59 74-01	SCREW EHHFM		2
9	735 21 64-00	LOCKWASHER		4



STEERING

G125-85F, 967271301, 2017-01

Ref	Part No	Description	Remark	QTY KIT
1	581 17 36-01	STOPPER		1
2	580 82 16-01	WIRE		1
3	576 83 37-02	BRACKET		1
4	725 23 78-51	SCREW EHHM		1
5	732 21 16-01	NUT		1
6	581 70 16-01	BRACKET		10
7	535 47 52-30	SCREW EHHFM		5
8	586 21 08-01	REAR AXLE		1
9	506 55 47-01	LINKAGE		2
10	506 55 46-02	CHAIN		1
11	732 23 18-01	LOCKNUT		2
12	576 88 13-01	BUSHING		4
13	506 50 48-05	WASHER		2
14	735 31 22-20	E-CLIP		2
15	585 94 37-01	PIVOT PIN		1
16	581 15 82-01	PULLEY		4
22	731 23 18-01	HEXAGON NUT		4
23	725 23 64-61	SCREW EHHFT		9
24	581 74 31-01	GUIDE		1
27	581 74 32-01	GUIDE		1
33	725 24 97-51	SCREW		1
34	574 37 92-01	WASHER		1
36	574 87 41-03	WASHER		2
38	506 67 54-02	SCREW EHHFM		2
39	725 25 02-71	SCREW EHHM		1
44	734 11 64-41	WASHER		2
45	522 42 23-02	BRACKET		1
46	586 99 41-01	STEERING ROD		1
50	738 21 04-04	BALL BEARING		1
51	506 88 78-01	SPACER		1
53	525 39 80-02	STEERING SYSTEM		1
56	721 43 47-01	SPRING PIN		1
58	576 83 24-01	SPINDLE		1
59	576 83 25-01	SPINDLE		1
61	576 83 29-01	TIE ROD		2
62	734 11 64-01	WASHER		6
63	721 61 83-01	SPLIT PIN		4
64	872 14 05-05	BOLT		2
65	732 21 18-01	LOCK NUT		2
66	734 11 54-41	WASHER		1
67	535 47 52-12	SCREW EHHFM		1
68	532 42 41-46	STEERING WHEEL		1
69	532 42 41-47	HUB CAP		1
70	578 18 94-01	BEARING HOUSING ASSY		1

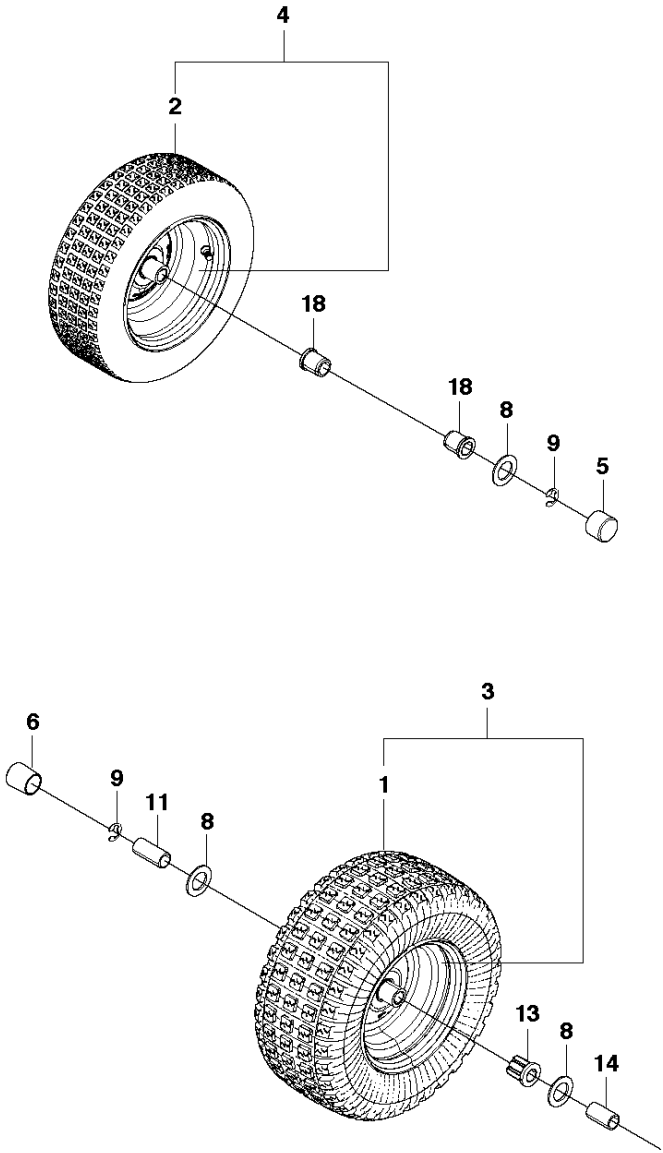


TRANSMISSION

G125-85F, 967271301, 2017-01

Ref	Part No	Description	Remark	QTY KIT
2	586 62 53-01	GEARBOX		1
3	506 50 94-01	WOODRUFF KEY		1
4	576 36 03-01	PULLEY		1
6	735 31 18-00	CIRCLIP		1
7	734 11 74-41	WASHER		2
8	506 57 01-04	SCREW EHHFM		8
9	576 79 96-01	BRACKET		1
10	727 64 59-51	SCREW		4
11	732 21 18-01	LOCK NUT		12
12	576 36 06-01	BELT		1
13	581 12 55-01	BELT TENSIONER ASSY		1
15	506 94 69-01	BELT TENS WHEEL ASSY		2
17	734 11 64-41	WASHER		2
20	725 24 51-71	SCREW EHHM		2
21	575 56 72-02	SPRING		1
22	584 28 86-01	WASHER		2
23	576 46 66-01	BRACKET		1
24	576 36 31-01	CHAIN		1
25	588 09 95-01	BEARING PLATE		2
26	578 34 75-02	PULLEY		1
27	872 14 05-05	BOLT		3
28	506 53 35-01	PARALLEL KEY		2
30	578 77 55-02	BRACKET		1
31	578 37 79-01	SPROCKET		1
32	506 89 90-01	E-CLIP		1
33	506 50 48-05	WASHER		1
34	578 37 80-01	BUSHING		1
35	574 50 61-01	SPRING		1
36	576 36 30-01	SPROCKET		1
37	576 36 33-01	TRANSAXLE ASSY		1
38	731 23 18-01	HEXAGON NUT		5
39	578 37 76-02	CHAIN TENSIONER		1
40	535 42 38-01	SCREW RSQM		4
41	584 14 04-01	SHEET		1
42	725 23 64-61	SCREW EHHFT		6
43	580 67 62-01	COVER		1
74	576 36 13-01	PULLEY		1
77	506 55 59-02	WEDGE		1
79	506 55 60-02	SCREW UNC		1
80	581 48 52-01	BELT TENSIONER		1
83	576 45 19-02	IDLER AXLE ASSY		1
87	725 54 55-01	SCREW IHSCM		1
88	577 16 95-02	PULLEY		1
89	579 41 42-01	BELT		1
90	578 36 15-01	BELT GUIDE		1
92	578 20 82-01	BELT GUIDE		1
95	535 50 45-01	DRIVE BELT		1
96	506 67 54-01	SCREW EHHFM		2

WHEELS ASSY



WHEELS & TIRES

G125-85F, 967271301, 2017-01

Ref	Part No	Description	Remark	QTY	KIT
1	523 03 46-01	TYRE		1	3
2	579 16 97-01	TIRE		2	4
3	523 01 26-01	WHEEL		1	
4	576 88 50-02	WHEEL		2	
5	577 89 25-01	HUB CAP		2	
6	577 77 29-02	HUB CAP		2	
8	506 50 48-05	WASHER		6	
9	506 89 90-01	E-CLIP		4	
11	578 03 38-02	SLEEVE		1	
13	578 76 13-01	BUSHING		2	
14	578 03 38-03	SLEEVE		1	
18	578 76 12-01	BUSHING		4	